

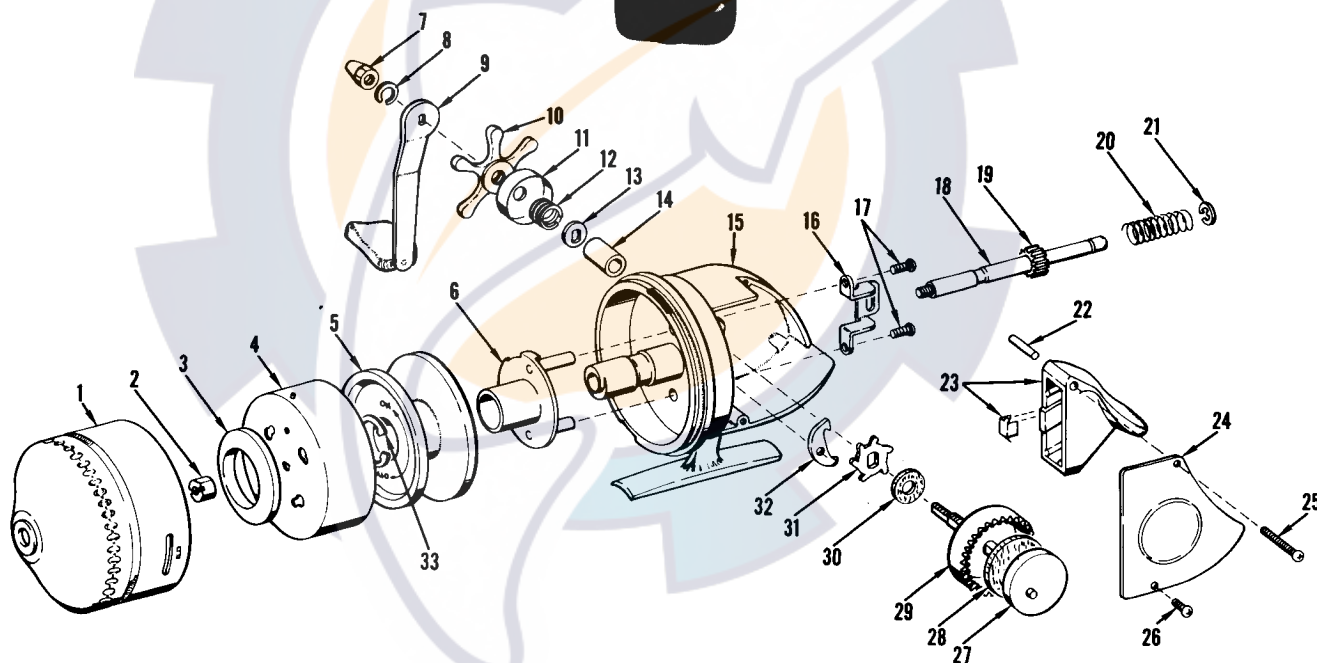


GLADDING
South Bend Tackle Co., Inc.
 Division of **GLADDING** Corporation

90

3-100-090

SPIN CAST REEL



Detail No.	Part Name	Part No.	Price	Detail No.	Part Name	Part No.	Price
1	Outer Cone	PB1	2.70	19	Pinion	PB25	.40
2	Pick-up Housing Nut	PB3	.15	20	Spring	PB26	.15
3	Pinch Ring	PB4	.30	21	Retaining Clip	PB27	.10
4	Pick-up Housing Assembly	PB5	2.50	22	Thumb Lever Sleeve	PB28	.25
5	Spool	PB7	3.00	23	Thumb Lever Assembly w/clip	PB29	.95
7	Crank Nut	PB10	.30	24	Cover Plate	PB31	.70
8	Lock Washer	PB11	.10	25	Thumb Lever Screw	PB33	.20
9	Crank Assembly	PB12	1.25	26	Cover Plate Screw	PB34	.15
10	Drag Star	PB14	.50	27	Gear Stem	PB36	.70
11	Drag Spring Cover	PB15	.60	28	Drive Gear Washer	PB38	.10
12	Drag Spring	PB16	.30	29	Drive Gear	PB40	.65
13	Drag Spring Washer	PB17	.15	30	Friction Washer	PB42	.15
14	Gear Stem Sleeve	PB18	.35	31	Non Reverse Ratchet	PB43	.40
15	Frame	PB19	3.50	32	Non Reverse Pawl	PB44	.40
18	Main Shaft	PB23	1.15	33	Spool Retaining Clip	PB45	.15